

# DIP / LEG RAISE

OP-DLR

## Parts Manual

2/5/2024 23:49:42 PM



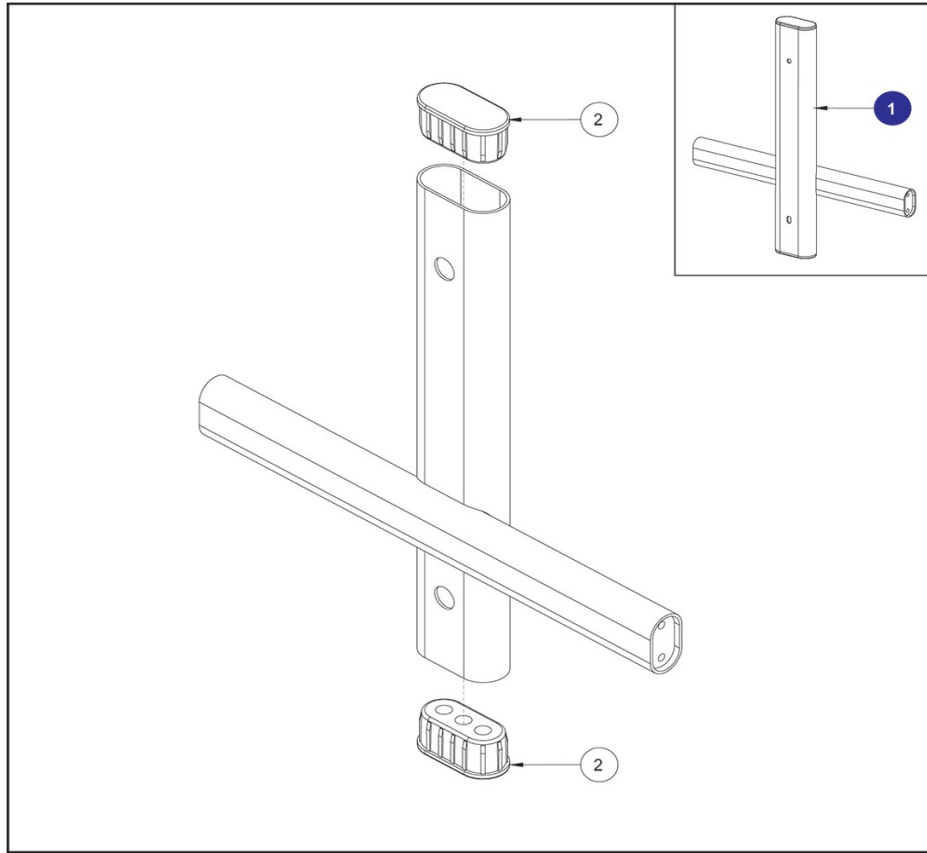
**Table of Contents**

---

[OP-DLR Back Assembly.....](#)3  
[OP-DLR Hardware Pack.....](#)4  
[OP-DLR Left Upright Assembly.....](#)5  
[OP-DLR Main Assembly.....](#)6  
[OP-DLR Right Upright Assembly.....](#)7

\*\* Upholstery & Frame Colors are listed at the end of the Parts Manual \*\*

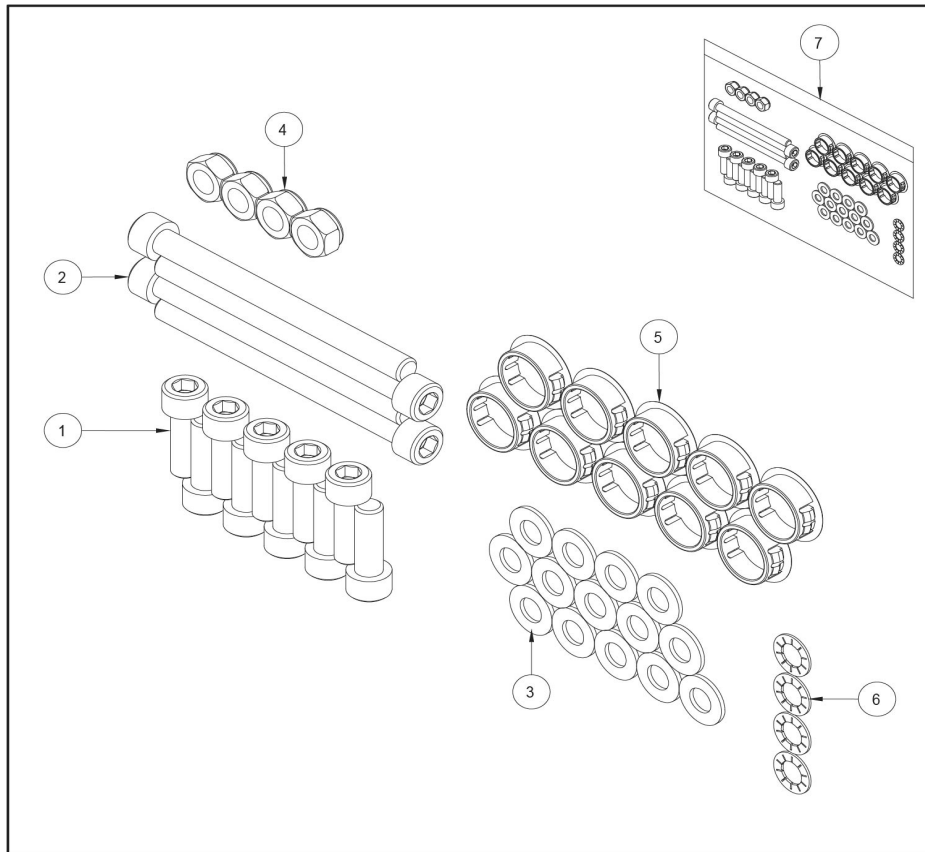
# OP-DLR Back Assembly



Ref #	Part Number	Qty	Description
1	1012189-0099	1	ASSY: OP-DLR; BACK, Custom
2	8012902	2	CAP, MFLOV END -CHR

\*\* Upholstery and Frame Colors are list at the end of the Parts Manual \*\*

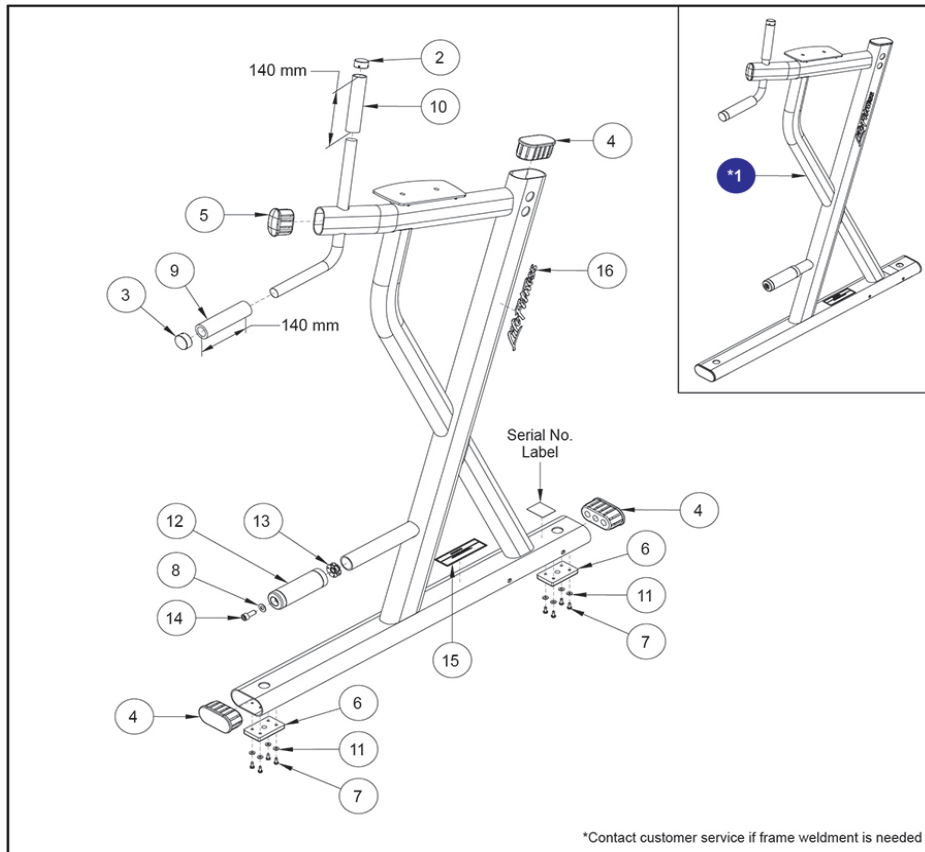
**OP-DLR Hardware Pack**



Ref #	Part Number	Qty	Description
1	3251703	10	M10 X 1.5 30 HXS SOC CS ST ZN
2	3251719	4	M10 X 1.5 X 120 HXS SOC CS ST ZN
3	3102514	14	WASHER, FLAT 3/8 IN SAE ST ZN
4	3242002	4	NUT, M10 X 1.5 HEX NYLOCK
5	3237407	10	PLUG, 1 IN HOLE
6	3239503	4	WSH, 391-.682-036 IN-D ST ZN
7	OP-DLR-HDWR	1	ASSY: OP-DLR; HARDWARE BAG

\*\* Upholstery and Frame Colors are list at the end of the Parts Manual \*\*

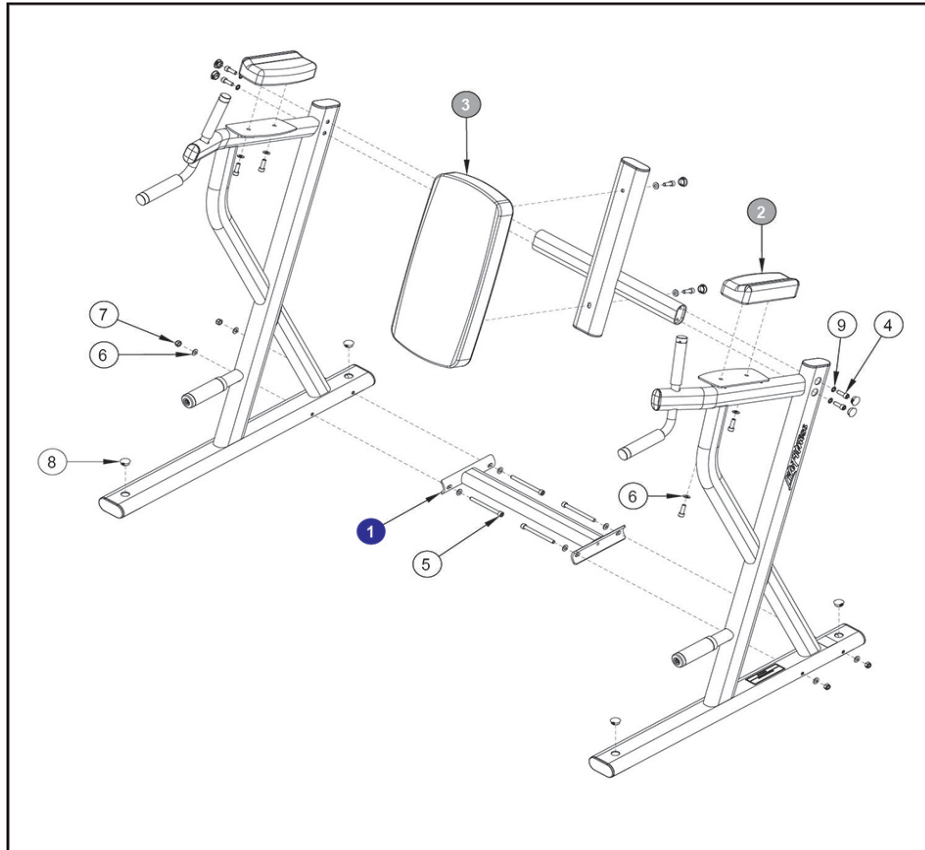
**OP-DLR Left Upright Assembly**



Ref #	Part Number	Qty	Description
1	1012002-0099	1	ASSY; OP-DLR; LEFT UPRIGHT, Custom
2	7662901	1	CAP; GRIP 1.25 OD
3	7662902	1	CAP, GRIP 1.50 OD, 10-0133-026, BNR
4	8012902	3	CAP, MFLOV END -CHR
5	7800502	1	CAP, SML FLOV END -CHR
6	7810811	2	PAD, RUBBER FOOT -CHR
7	3270602	8	SCREW, #10-32 X .50 TRX PAN ST BZ
8	3102514	1	WASHER, FLAT 3/8 IN SAE ST ZN
9	3235807	1	GRIP, 1.50 OD X .25 WALL OPEN END
10	3235806	1	GRIP, 1.25 OD X .125 WALL OPEN END
11	3102510	8	WASHER, FLAT, #10 SAE ST ZN
12	7800102	1	GRIP, 1.50 ID FOOT
13	7347301	1	NUT, SPIDER M10 X 1.5
14	LEA3251702	1	SCREW; M10 X1.5 25MM
15	8137701	1	LABEL, ASTM, OLY HORZ-SHEET
16	7865201	1	LABEL, LIFE FITNESS LOGO, 10-0099-062, BNR

\*\* Upholstery and Frame Colors are list at the end of the Parts Manual \*\*

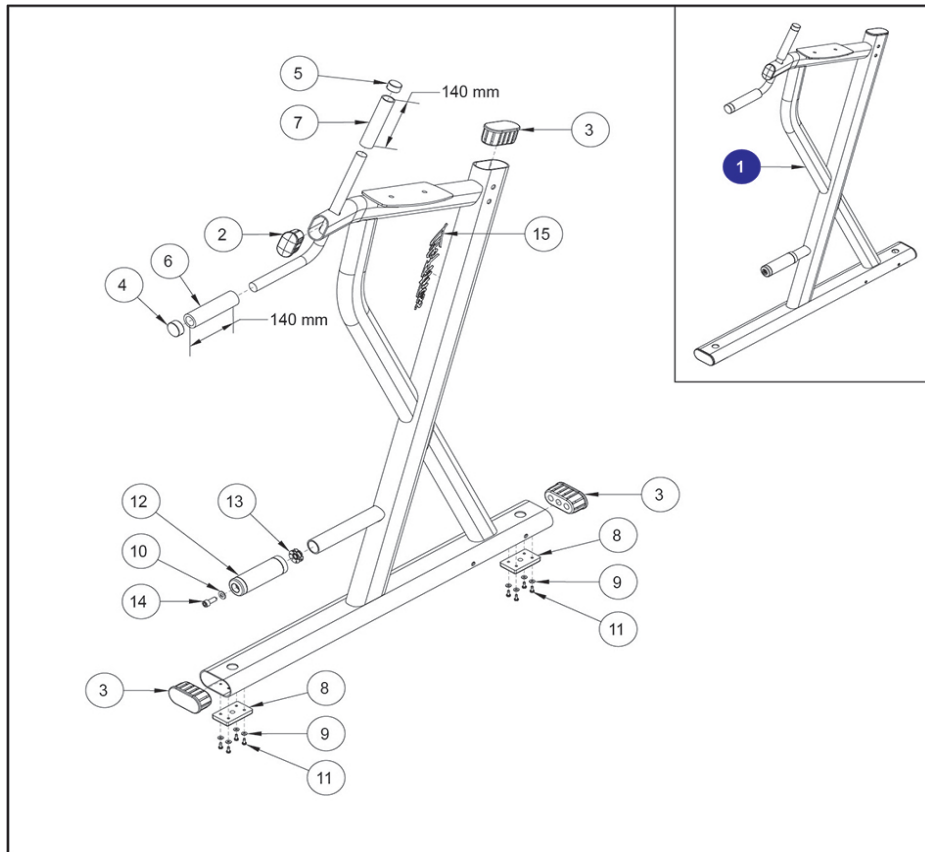
**OP-DLR Main Assembly**



Ref #	Part Number	Qty	Description
1	1012000-0099	1	WLDMT: OP-DLR; FOOT BRACE, Custom
2	1019854-0099	2	PAD: ARM REST - SINGLE STITCH, CUS
2	1019854-0199	2	PAD: ARM REST - DOUBLE STITCH, CUS
3	1013393-0099	1	PAD: BACK, FLAT - SINGLE STITCH- Custom
3	1013393-0199	1	PAD: BACK, FLAT - DOUBLE STITCH- Custom
4	3251703	10	M10 X 1.5 30 HXS SOC CS ST ZN
5	3251719	4	M10 X 1.5 X 120 HXS SOC CS ST ZN
6	3102514	14	WASHER, FLAT 3/8 IN SAE ST ZN
7	3242002	4	NUT, M10 X 1.5 HEX NYLOCK
8	3237407	10	PLUG, 1 IN HOLE
9	3239503	4	WSH, 391-.682-036 IN-D ST ZN

\*\* Upholstery and Frame Colors are list at the end of the Parts Manual \*\*

# OP-DLR Right Upright Assembly



Ref #	Part Number	Qty	Description
1	1012003-0099	1	ASSY: OP-DLR; RIGHT UPRIGHT, Custom
2	7800502	1	CAP, SML FLOV END -CHR
3	8012902	3	CAP, MFLOV END -CHR
4	7662902	1	CAP, GRIP 1.50 OD, 10-0133-026, BNR
5	7662901	1	CAP; GRIP 1.25 OD
6	3235807	1	GRIP, 1.50 OD X .25 WALL OPEN END
7	3235806	1	GRIP, 1.25 OD X .125 WALL OPEN END
8	7810811	2	PAD, RUBBER FOOT -CHR
9	3102510	8	WASHER, FLAT, #10 SAE ST ZN
10	3102514	1	WASHER, FLAT 3/8 IN SAE ST ZN
11	3270602	8	SCREW, #10-32 X .50 TRX PAN ST BZ
12	7800102	1	GRIP, 1.50 ID FOOT
13	7347301	1	NUT, SPIDER M10 X 1.5
14	LEA3251702	1	SCREW; M10 X1.5 25MM
15	7865201	1	LABEL, LIFE FITNESS LOGO, 10-0099-062, BNR

\*\* Upholstery and Frame Colors are list at the end of the Parts Manual \*\*

# Frame and Upholstery Color Chart

## FRAME COLOR OPTION

SELECT POWDERCOAT COLOR

- BLACK
- BLUE
- CANDY APPLE RED
- CHARCOAL
- DIAMOND WHITE CLEAR
- ELECTRIC BLUE
- ICE BLUE METALLIC CLEAR
- MIDNIGHT METALLIC CLEAR
- MOCHA SAND
- PLATINUM CLEAR
- RED
- TITANIUM CLEAR
- WHITE
- YELLOW

## UPHOLSTERY COLOR OPTION

SELECT UPHOLSTERY COLOR

- AMERICAN BEAUTY RED
- AZURE
- BLACK
- BLACK CARBON FIBER
- BURGUNDY
- CANDY APPLE RED
- CHESTNUT
- CONCORD
- CRANBERRY
- DARK WALNUT
- DOVE GRAY
- EMERALD
- GRAPHITE
- GROTTO
- HUNTER GREEN
- IMPERIAL BLUE
- NAVY
- REGIMENTAL BLUE
- ROYAL BLUE
- SLATE
- SUEDE
- TERRA COTTA
- WHEAT

### UPHOLSTERY

- 1
- 2
- 3

Items with Gray call-outs require the upholstery color within the order notes.

### FRAME COLOR

- 1
- 2
- 3

Items with Blue call-outs require the powder coat frame color to be within the order notes.



